

C-L-I-C-S



Dream Think Create



[www.okplay.in](http://www.okplay.in)

**OKPLAY INDIA LIMITED**

124, New Manglapuri, Mehrauli, New Delhi-110030  
Tel.: +91 11 46190000, Fax: +91 11 46190090, E-mail: [info@okplay.in](mailto:info@okplay.in)

CATALOGUE



### Clics OKPLAY

OK PLAY brings to you a range of construction toys

We at OK PLAY believe in the right mix of fun and education to aid your child's mental and physical development. Our products for children are not only 100% safe and durable but are a perfect blend of enjoyment and learning.

CLICS is designed and developed by Toykimo, a leading Toy Company from Belgium. Clics is a market leader in educational products and has taken Europe and USA by storm. It is now available in more than 45 countries!

### Why Clics?

#### Clc stimulates the child's:

- Logical thinking
- Colour recognition
- Sporting capabilities
- Organizational skills
- Inculcates patience and care
- Development of motor skills



Clics =

- + Colourful interlocking plastic bricks
- + Incites creative imagination
- + Learning for children
- + Fun for children
- + Bite proof and flexible play things

#### Features of OK PLAY - Clics:

- Colourful
- Durable: able to withstand prolonged use under all conditions
- Attractive
- Bite-Proof Safe
- Smooth Edges
- Weather Proof
- Easy to grip

Clics foster group interactions and the zeal to build something new each time. Who knew clicking could be so much fun.... So, keep the child alive in you!!!

Clics are interesting enough to play up to the age of 99.



### Where can you find Clics?



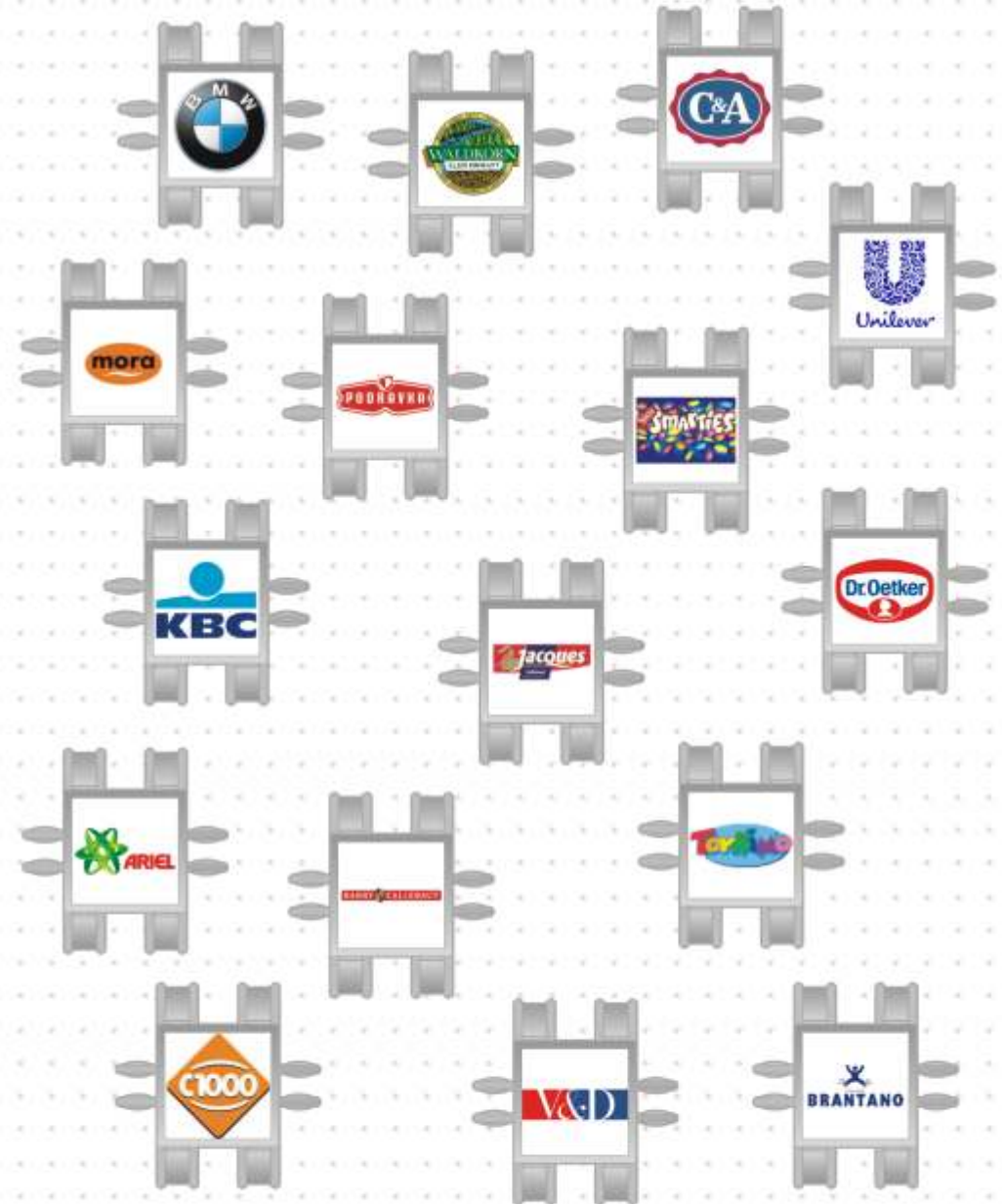
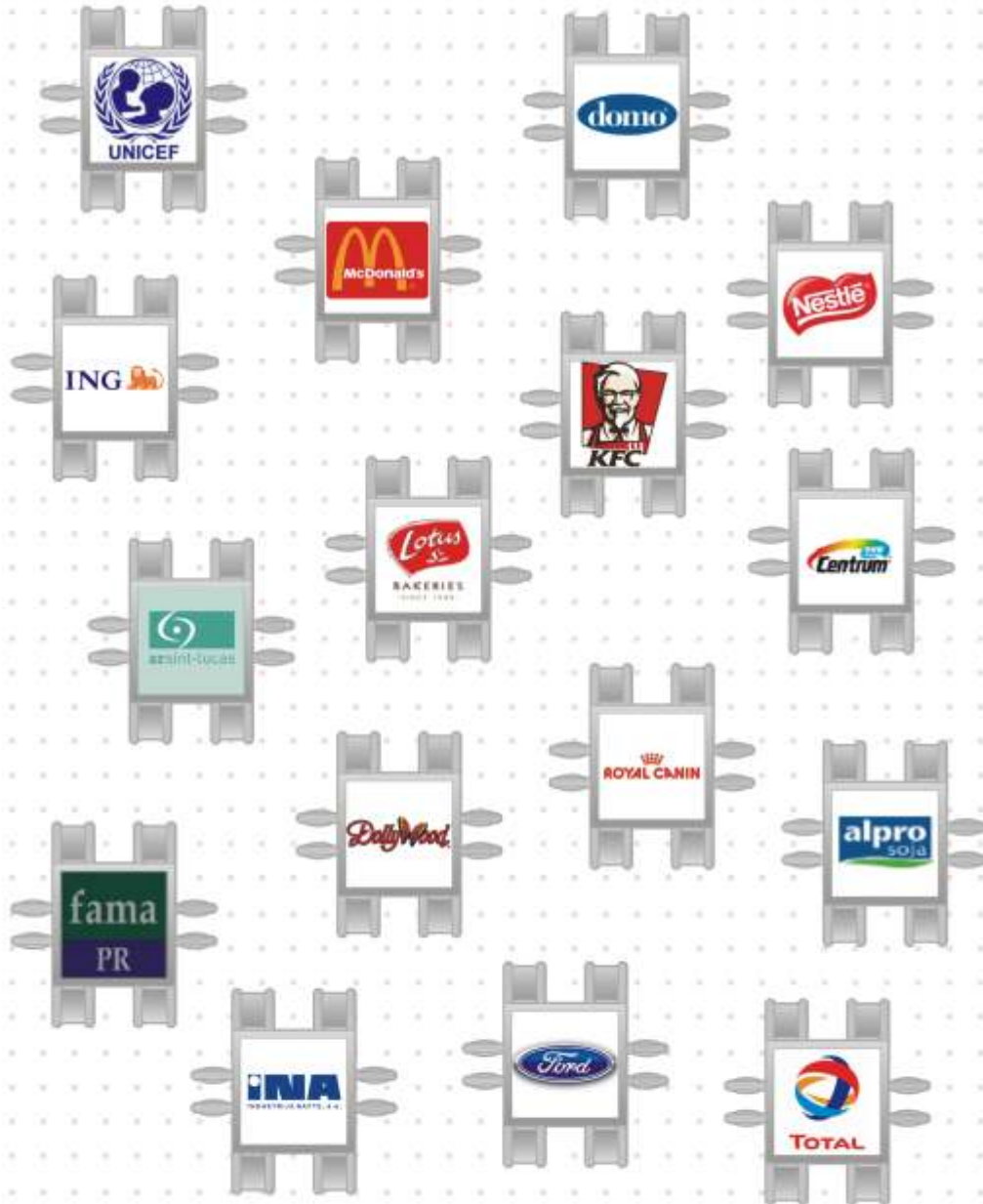
Now in India

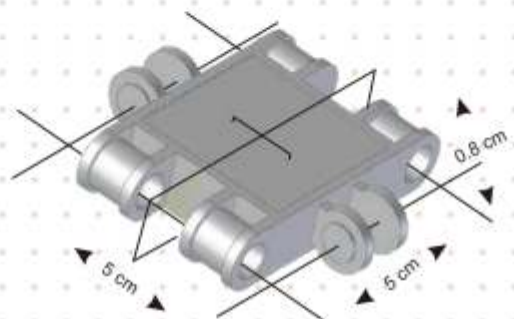
- |  |                        |  |               |
|--|------------------------|--|---------------|
|  | Denmark                |  | Belgium       |
|  | Spain                  |  | Turkey        |
|  | China                  |  | Israel        |
|  | Canada                 |  | Slovakia      |
|  | Cyprus                 |  | Serbia        |
|  | Bulgaria               |  | South Africa  |
|  | Austria                |  | Russian       |
|  | Montenegro             |  | Poland        |
|  | USA                    |  | Norway        |
|  | Germany                |  | Latvia        |
|  | UK                     |  | Japan         |
|  | France                 |  | Italy         |
|  | Switzerland            |  | Greece        |
|  | Croatia                |  | Estonia       |
|  | The Czech Republic     |  | Ireland       |
|  | Slovenia               |  | Macedonia     |
|  | The Netherlands        |  | Liechtenstein |
|  | Malta                  |  | Belarus       |
|  | Bosnia and Herzegovina |  | Lithuania     |
|  | Brazil                 |  | Romania       |
|  |                        |  | Finland       |

### Some corporate references of Clics:

- Nestle (Smarties) Belgium
- Mc Donald's (Fast Food) Croatia / Zagreb
- Unilever (Sunlight Shampoo & Soap) Belgium
- Unilever (Sun Dishwasher Tablet) Netherlands
- KFC (Fast Food) Russia
- Dr Oetker ( pudding Powder) Turkey
- Barry Callebaut (Chocolate bars) Belgium
- Alpro (Alpro Milk from Soja) Belgium
- Royal Canin (Dogfood) Belgium
- KBC Bank (Saving Accounts for Children) Slovenia
- Wyeth (Centrum Vitamines) Netherlands
- Podravka (Lino) Croatia, Slovenia, Serbia

Some corporate customization references





### how to clic



1



2



3



4



5

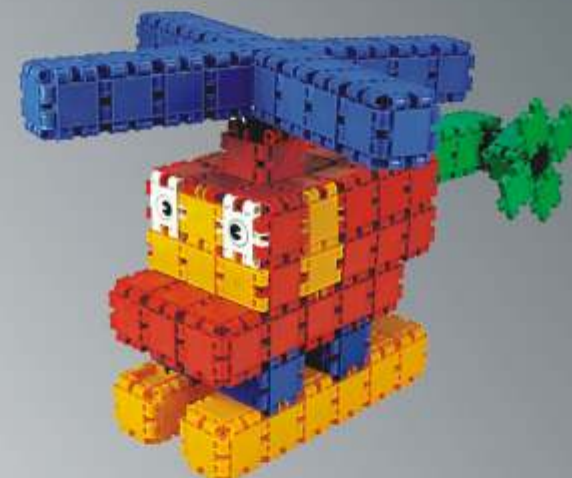


6

► Construction with Clics (1-150 pcs)

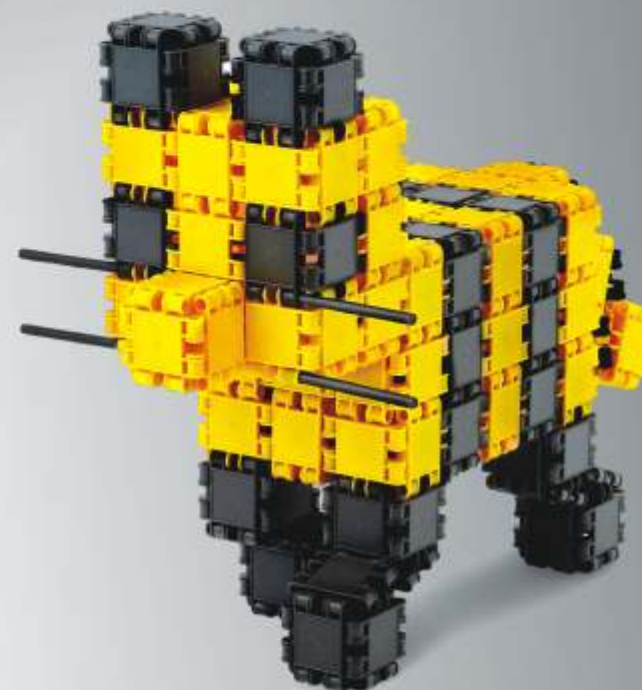
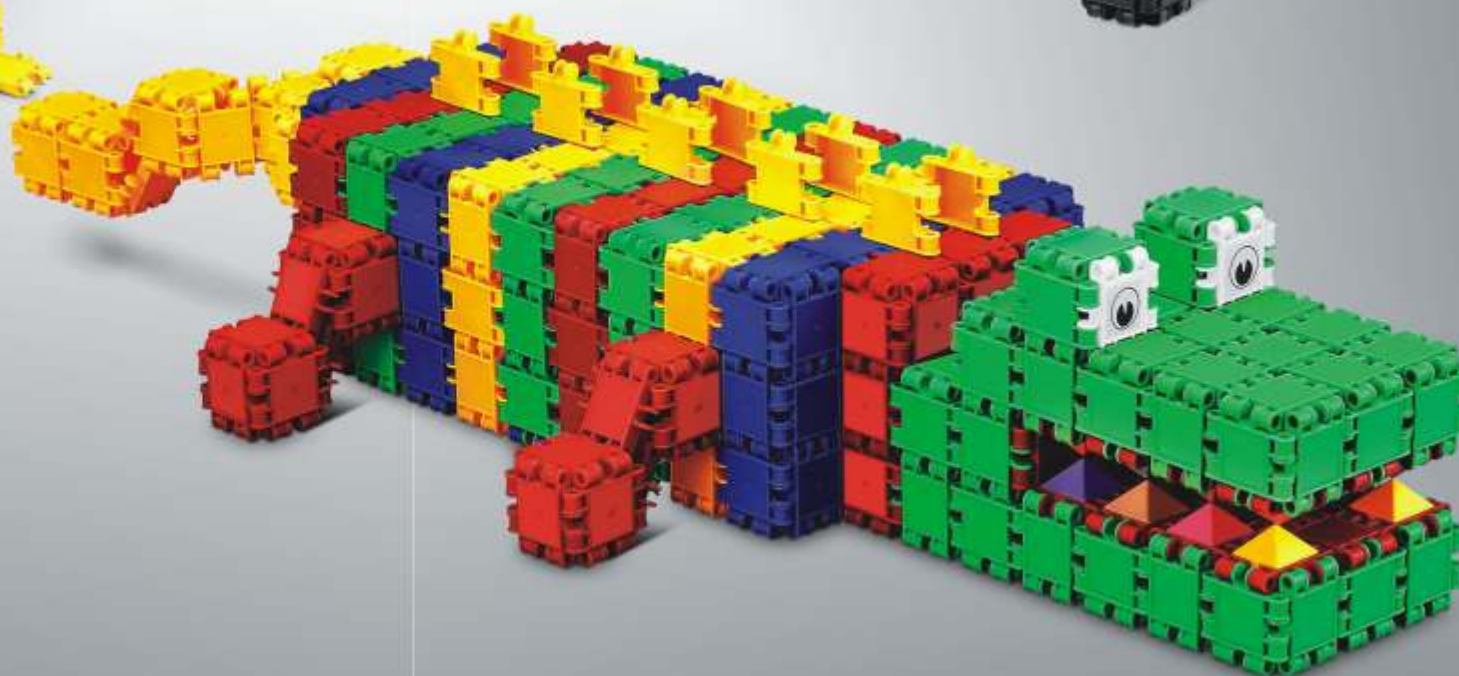


► Construction with Clics (150-333 pcs)





► Construction with Clics (333-600 pcs)





► Construction with Clics (600 pcs and above)







► Overall Construction range with Clics



It can be built  
from **small...**



To **Bigger...**



To **Biggest...**





Unicef 1946 – 2006



14th May'06, Belgium:  
Clics/Unicef selling Clics for Burundi-war children who don't have the opportunity to play



5,000 flyers distributed on parking to generate awareness about Unicef



Clics along with VTM Television, Brussels, raised funds for 'Lifeline'

Charity

Charity



Foodfair, Brussels Clics invited schools to come up with a Clics project around 'Road Safety'



8,000,000 Clics, every Clics worth 1 € was given to Charity VTM Lifeline



Clics associated with 'Plan'- a 70 year old NGO, to build a world where children are safe and healthy



Fundraising with 'Plan', Belgium Dec'07, to build a school in Cambodia